



Bladder cancer is the ninth most-common cancer worldwide.

NADAL[®] BCA/Hb Combo Test

Rapid test for the detection of bladder cancer antigen (BCA) and haemoglobin (Hb) in urine

Bladder cancer antigen (BCA)

Almost 550,000 people across the globe were diagnosed with bladder cancer in 2018, and numbers are rising. More than two thirds of those affected are men. However, the 5-year survival rate amongst patients is high, with the Robert-Koch Institute estimating it at 77% for men and 72% for women.

The chances of recovery are heavily dependent on the time of diagnosis. When caught early, there is a chance that the bladder need not be removed. In approximately 30% of patients, the tumour has already spread to the bladder's muscle layer by the time of diagnosis.

Regular check-ups can thus be very helpful for the early detection of bladder cancer, and reduce the number of patients reaching the life-threatening stages of the disease. There is a reluctance among many people to undergo examinations for bladder cancer, as the procedure consists of an invasive cystoscopy. The use of rapid tests can be helpful here. A tumour in its early stages can be indicated by the fast and painless detection of **BCA** (bladder cancer antigen) as well as **Hb** (haemoglobin) in urine.

NADAL[®] BCA/Hb Combo Test

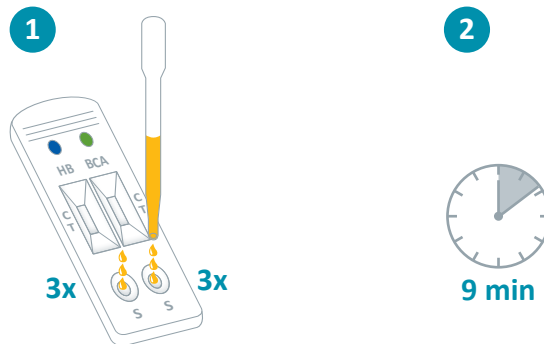
The **NADAL[®] BCA/Hb Combo Test** is a chromatographic immunoassay in lateral flow format for the qualitative detection of hCFHrp (human complement factor H-related protein - bladder cancer antigen) and Hb (haemoglobin). The protein is often found at an increased level in the urine of patients with bladder cancer. The detection of haemoglobin also increases the sensitivity of the test - especially in the later stages of the disease, when blood can be detected in the urine.

Your benefits at a glance:

- ✓ Suitable for both screening and post-operative monitoring
- ✓ Urine sample can be collected at any time of day
- ✓ Fast and reliable results in just 9 minutes
- ✓ Test storage at room temperature
- ✓ Minimum shelf life of 10 months



Test procedure



1. Using a disposable pipette, dispense 3 drops of urine into each sample well (S) of the test cassette.

2. Read the results after 9 minutes.

A detailed description can be found in the package insert.

Result interpretation



NADAL® BCA/Hb Combo Test

Rapid test for the detection of bladder cancer markers (hCFHRP) and haemoglobin (Hb)

Product	Sample material	Sensitivity	Specificity	Product code	Pack size
NADAL® BCA/Hb Combo Test	Urine	Depending on the stage of the tumour: 42.5 % - 97.1 %	89.5 %	562003N-10	10 tests

Pack contains 10 test cassettes, as well as disposable pipettes (individually packed) • sample collection cups with lid • package insert

Rev02.02/XX0705en00056
Rev01.02/EN05en00045

Our **customer service team** is on hand to answer any questions you may have by telephone, via email or in a personal consultation. For details on **your local sales office and regional free phone numbers**, visit www.nal-vonminden.com.

We help you care!

